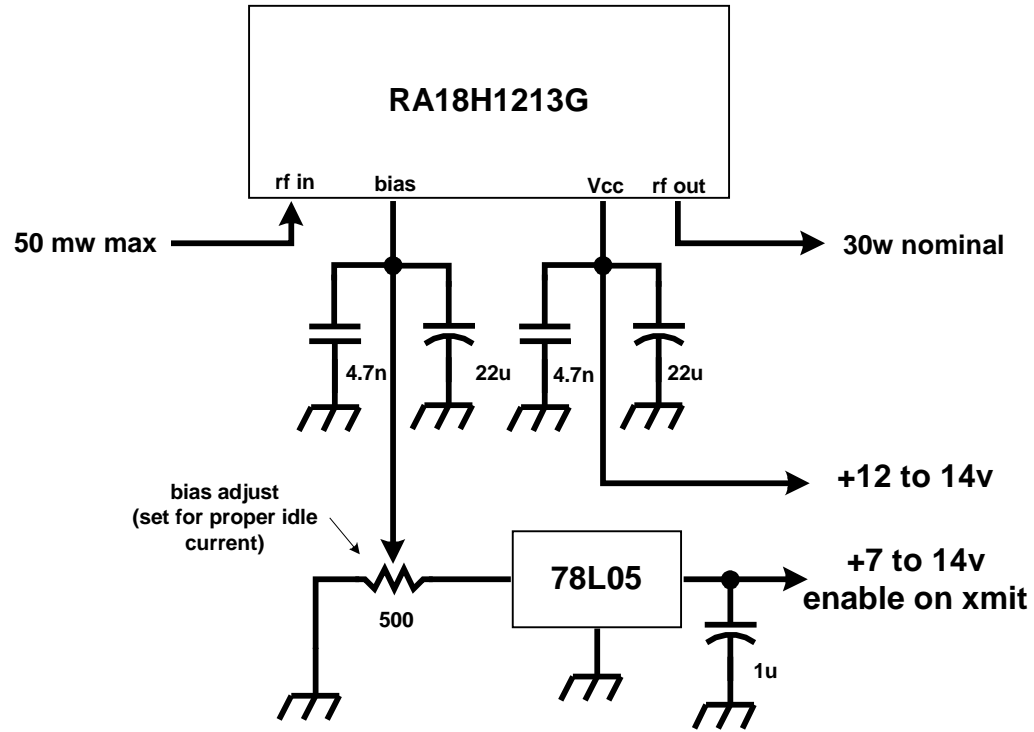
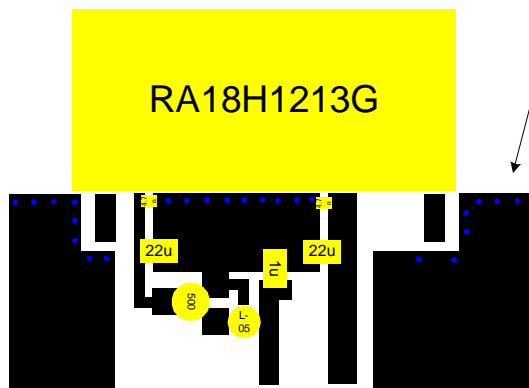


Single MosFet Module 23 cm Amplifier

W6PQL - 3/24/05



illustrates proper
component
placement on the
board



blue dots are
ground vias

this is the artwork
(to scale, aprox
1x2.75"). PCB
material is 1/16"
double-sided FR4,
1oz copper.

